

TS 77

Door closer

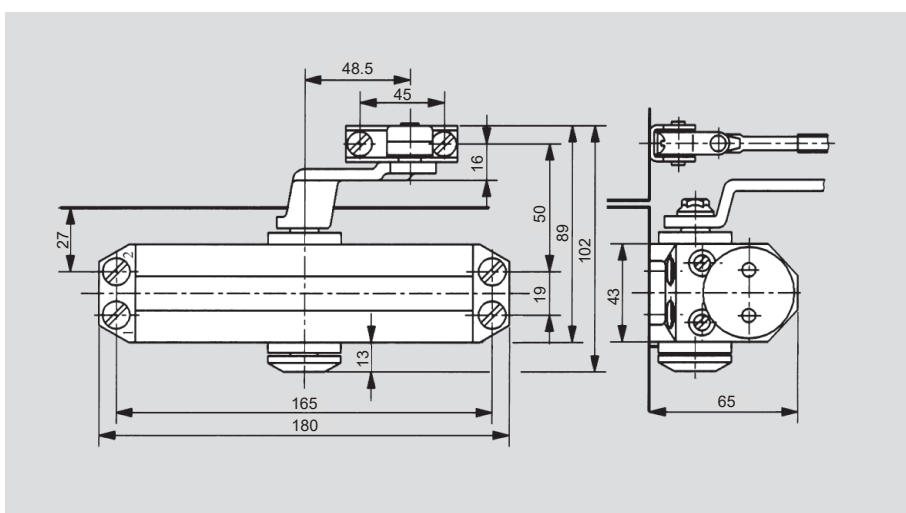


Advantages at a glance

- The economical solution for standard doors.
- Non-handed, suitable for standard, parallel arm and frame installation.
- Fully controlled closing cycle.
- Backcheck version available for door and wall protection.
- Choice of three strengths
- Door widths up to 1100 mm
- Non back check & back check models
- Optional hold open function
- Outstanding value for money

The TS77 is the perfect door closer choice for a budget conscious project.

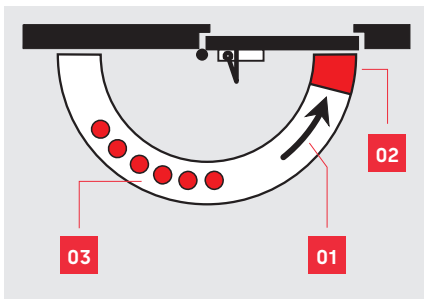
With two speed functions, it provides total control of your door. With its simplistic design, installation of the TS77 door closer is easy and hassle free.



Specifications

Data and features		TS 77		
		EN 2	EN 3	EN 4
Closing force	Size			
Standard doors	≤ 850 mm	•	–	
	≤ 950 mm	–	•	–
	≤ 1100 mm	–		•
External doors, outward opening		–	–	–
Non-handed		•	•	•
Arm type standard scissor arm		•	•	•
Closing force variable at adjustment screw		–	–	–
Closing speed variable by valve adjustment		•	•	•
Backcheck		○	○	○
Delayed action		–	–	–
Hold-open		○	○	○
Weight in kg		1.7	1.7	1.7
Dimensions in mm	Length	180		
	Overall depth	65		
	Height	43		

yes – no option



Example: left-hand (ISO 6) door, pull side fixing

- 01** Fully controlled closing with adjustable speed between 180° - 20°.
- 02** Adjustable latching action between 20° and 0°.
- 03** Hold-open range if equipped with hold-open arm (optional extra).

Rack-and-pinion door closer with hydraulic fully controlled closing cycle, non-handed.

Make

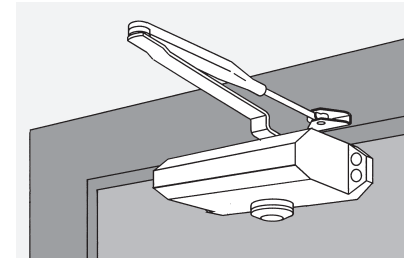
dormakaba TS 77

Model

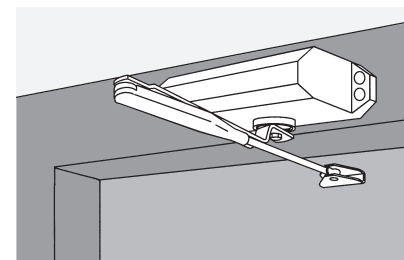
- Size 2
- Size 3
- Size 4
- With hold-open arm
- Accessories

Colour

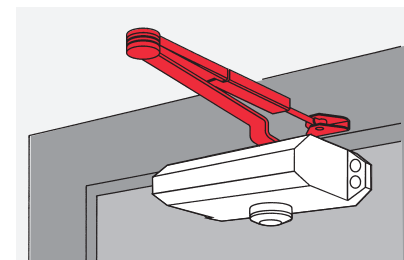
- Silver



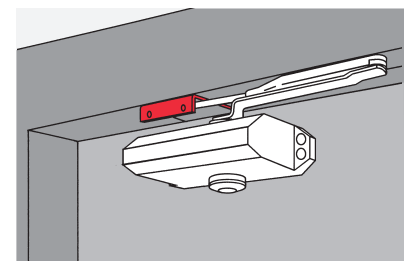
On the pull side
Door leaf fixing (standard)



On the push side
Transom fixing (Overhead installation)



With hold-open arm
For temporary door hold-open (optional extra)



Parallel arm
For parallel arm assembly (For installation dimensions, See fixing instructions)

Any questions? We would be happy to advise you.